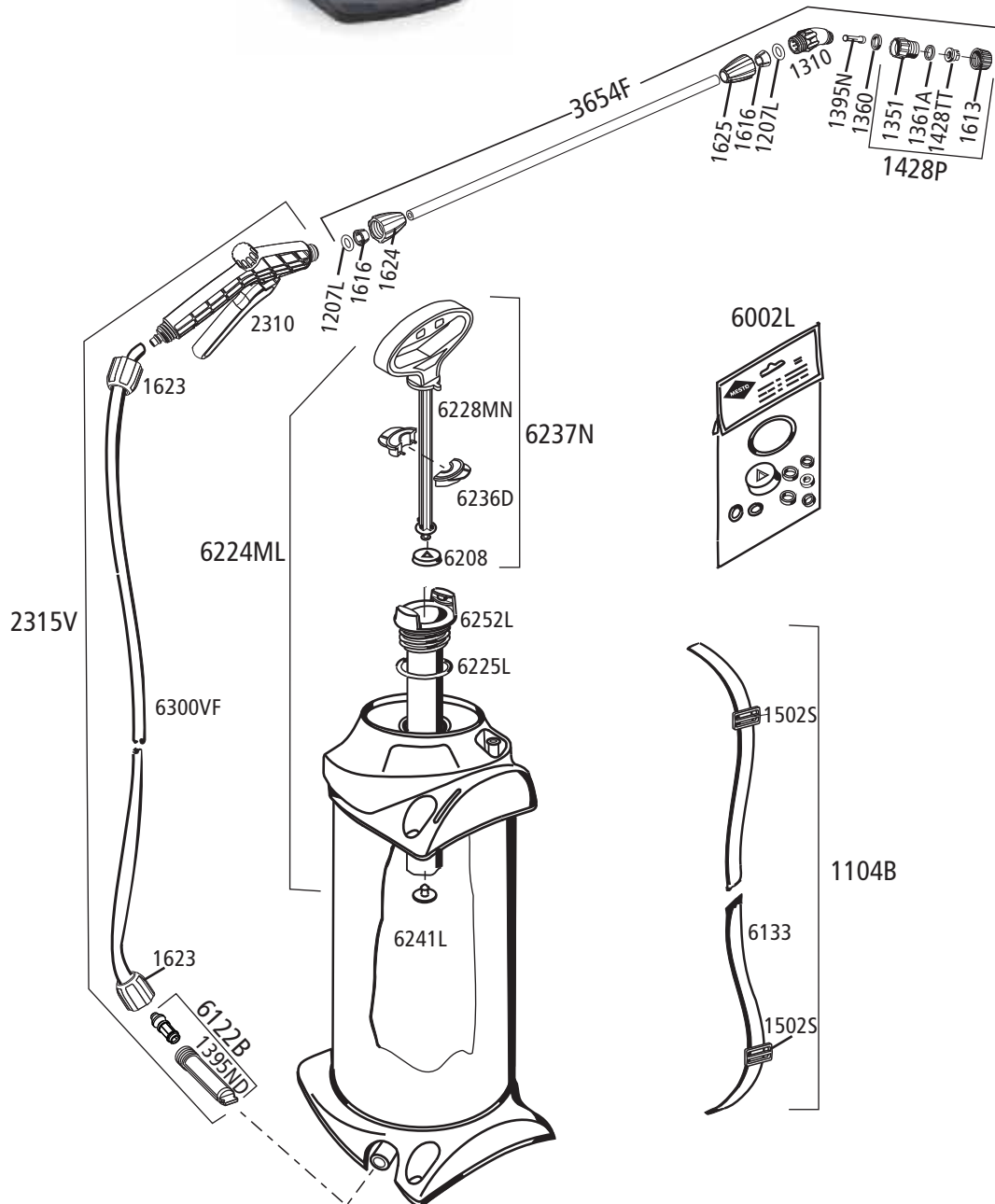


# 3237FM



2310

