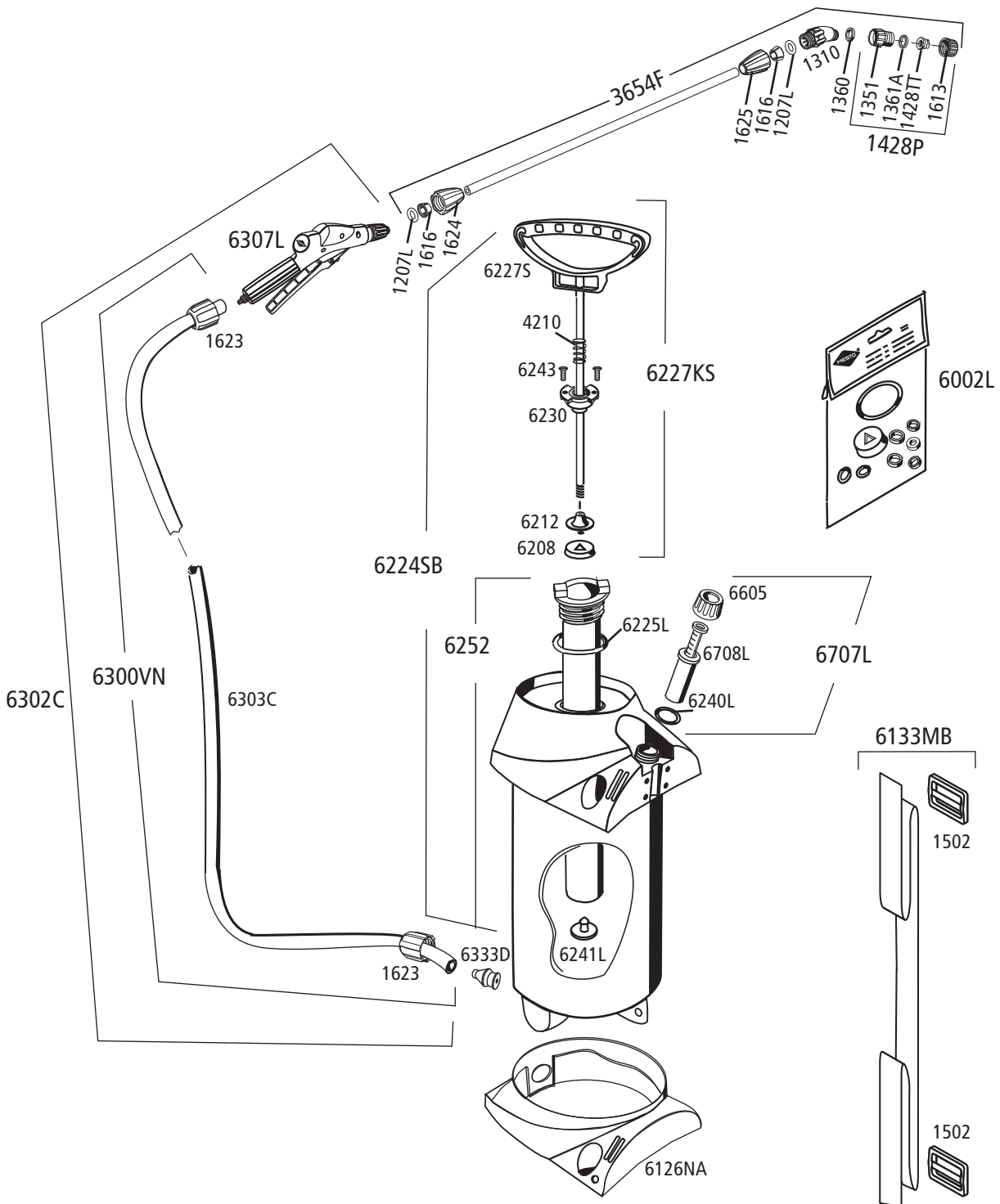
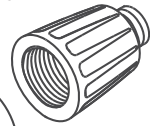


**3270PP**  
**3275PP**

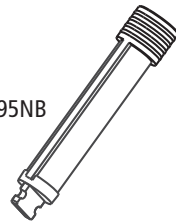




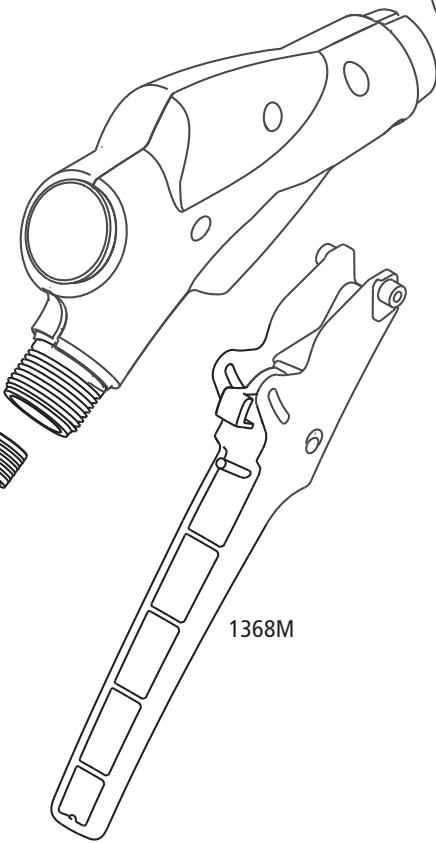
1352LL



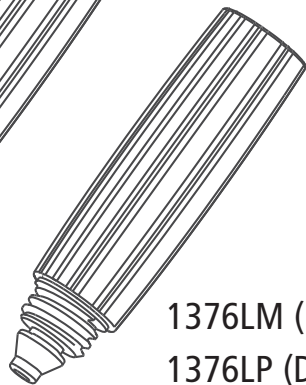
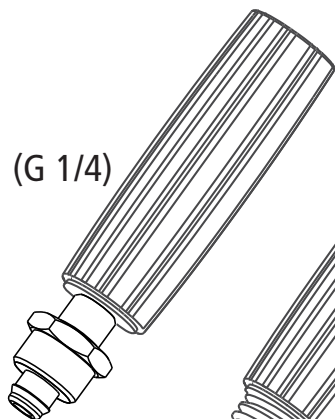
1395NB




1368M



1376LG (G 1/4)



1376LM (D10 á )

1376LP (D10, oil á )

1376LK (D8)

1376LS (D6, spiral)